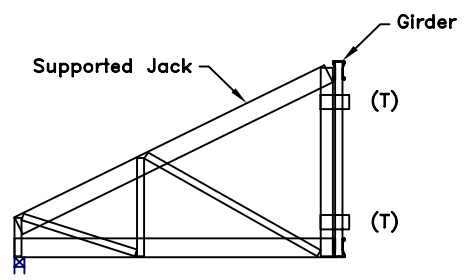


Partial Roof Layout

(T) = TTC; for 2 clip connection, place at top and bottom as shown. For 1 clip connection, place at bottom, or as analyzed.

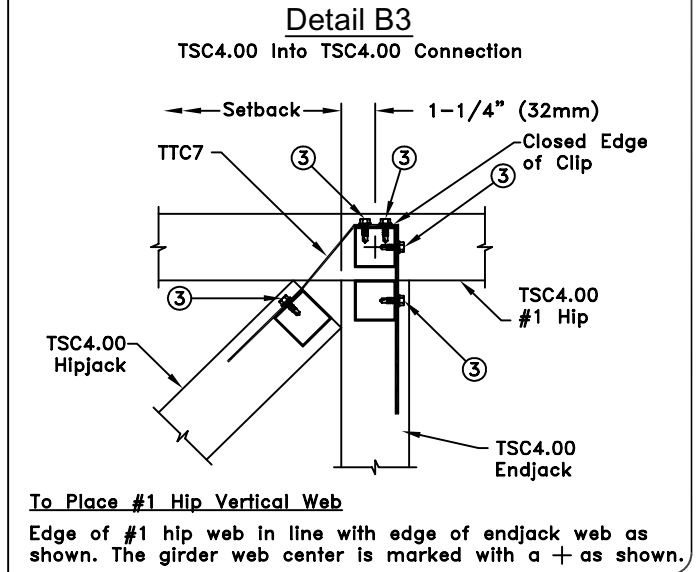
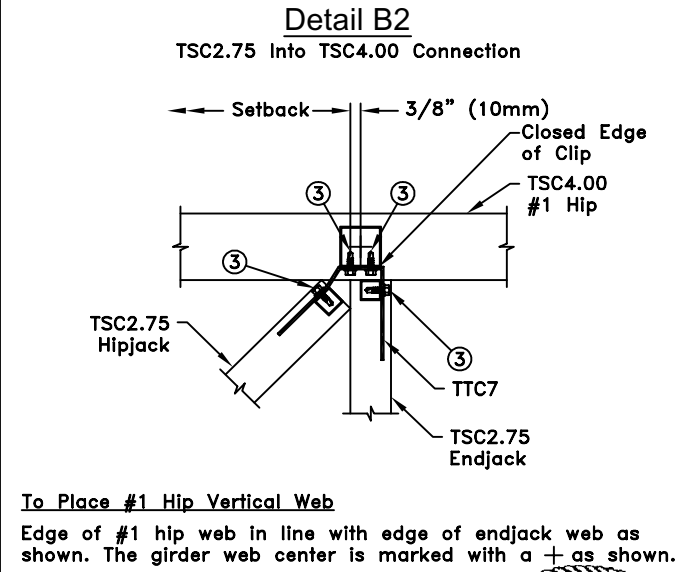
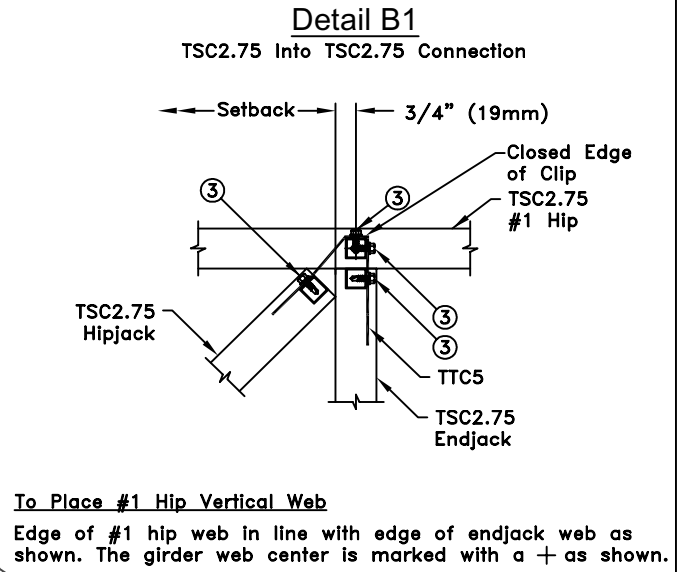
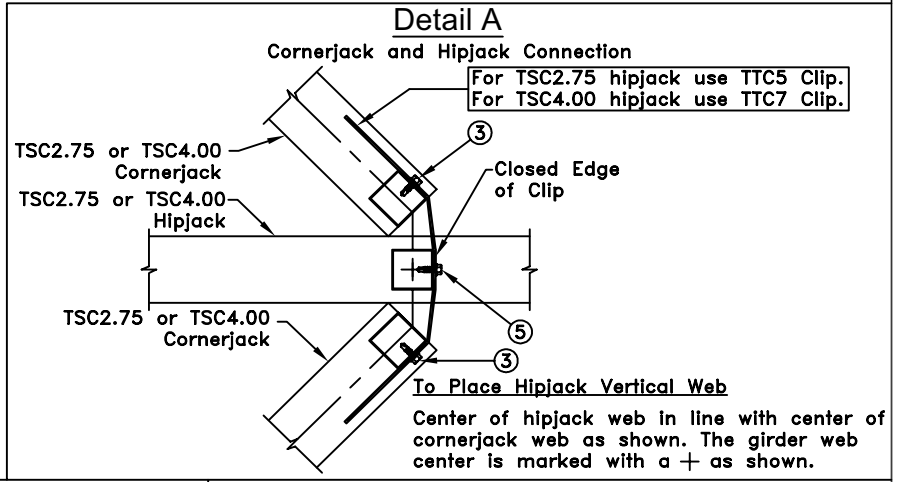


Typical Jack To Girder Connection

Supported Truss Shown in Detail	Maximum Reaction Per Supported Truss lbs. (kN)	Number of Clips
Cornerjack	500 (2.22)	1*
Cornerjack	1000 (4.44)	2
Hipjack	1235 (5.49)	2
Endjack	1235 (5.49)	2

*1 clip may be used when supported truss height is less than or equal to 4'0" (1219.2mm) and reaction of supported truss does not exceed 500lbs.(2.22kN).

- General Notes:**
1. The top and bottom chords of all trusses shall be properly connected to structural sheathing or purlins.
 2. All edge distances are 3/8" (9.5mm) minimum.
 3. All end distances and spacing are 9/16" (14.3mm) minimum.
 4. Circled numbers represent quantity of #10 self-drilling tapping screws per clip.
 5. Truss must be analyzed with concentrated loads directly in line with correctly placed girder vertical webs. Details A, B, C1, & C2 give correct web placement information.
 6. For other connection geometries not shown on this detail contact an TrusSteel Engineer.
 7. For multi-ply #1 Hips, refer to Standard Detail TS025D for ply to ply connection requirements.



TrusSteel®
Division of ITW Building Components Group, Inc.

www.TrusSteel.com

Florida: 1950 Marley Drive / Haines City, FL 33844 / (800) 755-6001
 Missouri: 13389 Lakefront Drive / Earth City, MO 63045 / (800) 326-4102
 California: 8351 Rovana Circle / Sacramento, CA 95828 / (800) 877-3678

Hipjack, Endjack And Cornerjack Connection Details

ITW Building Components Group, Inc. shall not be responsible for any performance failure in a connection due to a deviation from this detail. Any variation from this detail shall be approved in advance by ITW Building Components Group, Inc.

PROFESSIONAL ENGINEER - STATE OF FLORIDA
 GAROLD W. HEFNER
 No. 13345
 Exp. 8/30/09
 CIVIL

Standard Detail:
 TS025
 Date:
 06/11/07

TrusSteel Detail Category:
 Truss-To-Truss Connections