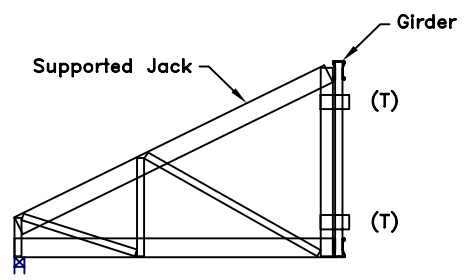


Partial Roof Layout

(T) = TTC; for 2 clip connection, place at top and bottom as shown. For 1 clip connection, place at bottom, or as analyzed.



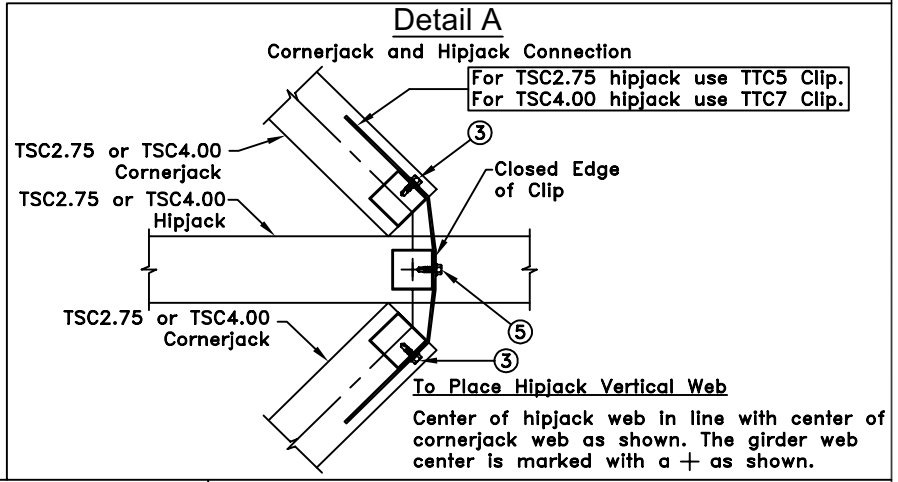
Typical Jack To Girder Connection

| Supported Truss Shown in Detail | Maximum Reaction Per Supported Truss lbs. (kN) | Number of Clips |
|---------------------------------|--|-----------------|
| Cornerjack                      | 500 (2.22)                                     | 1*              |
| Cornerjack                      | 1000 (4.44)                                    | 2               |
| Hipjack                         | 1235 (5.49)                                    | 2               |
| Endjack                         | 1235 (5.49)                                    | 2               |

\*1 clip may be used when supported truss height is less than or equal to 4'0" (1219.2mm) and reaction of supported truss does not exceed 500lbs.(2.22kN).

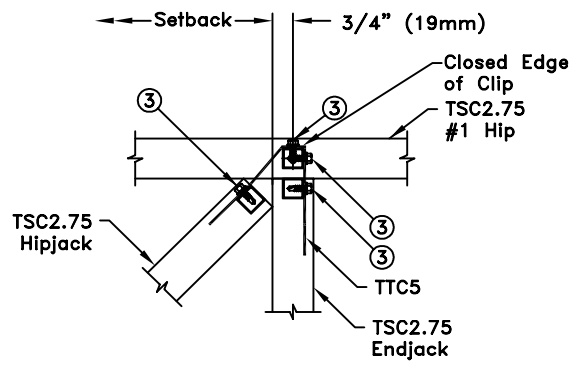
**General Notes:**

1. The top and bottom chords of all trusses shall be properly connected to structural sheathing or purlins.
2. All edge distances are 3/8" (9.5mm) minimum.
3. All end distances and spacing are 9/16" (14.3mm) minimum.
4. Circled numbers represent quantity of #10 self-drilling tapping screws per clip.
5. Truss must be analyzed with concentrated loads directly in line with correctly placed girder vertical webs. Details A, B, C1, & C2 give correct web placement information.
6. For other connection geometries not shown on this detail contact an TrusSteel Engineer.
7. For multi-ply #1 Hips, refer to Standard Detail TS025D for ply to ply connection requirements.



**Detail B1**

TSC2.75 Into TSC2.75 Connection

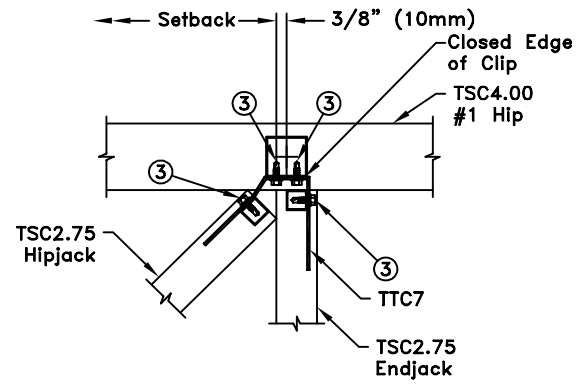


**To Place #1 Hip Vertical Web**

Edge of #1 hip web in line with edge of endjack web as shown. The girder web center is marked with a + as shown.

**Detail B2**

TSC2.75 Into TSC4.00 Connection

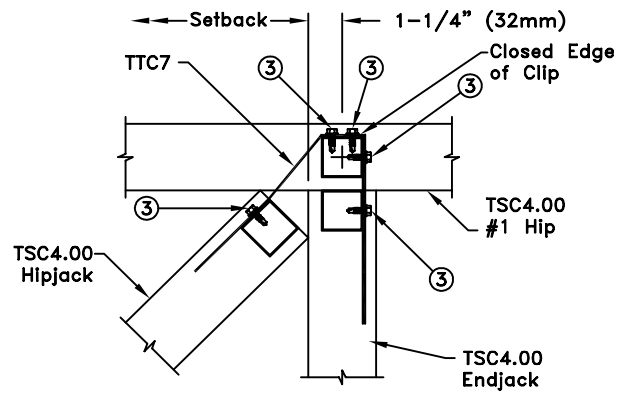


**To Place #1 Hip Vertical Web**

Edge of #1 hip web in line with edge of endjack web as shown. The girder web center is marked with a + as shown.

**Detail B3**

TSC4.00 Into TSC4.00 Connection



**To Place #1 Hip Vertical Web**

Edge of #1 hip web in line with edge of endjack web as shown. The girder web center is marked with a + as shown.

**TrusSteel**<sup>®</sup>  
Division of ITW Building Components Group, Inc.  
[www.TrusSteel.com](http://www.TrusSteel.com)  
Florida: 1950 Marley Drive / Haines City, FL 33844 / (800) 755-6001  
Missouri: 13389 Lakefront Drive / Earth City, MO 63045 / (800) 326-4102  
California: 8351 Rovana Circle / Sacramento, CA 95828 / (800) 877-3678

**Hipjack, Endjack And Cornerjack Connection Details**

ITW Building Components Group, Inc. shall not be responsible for any performance failure in a connection due to a deviation from this detail. Any variation from this detail shall be approved in advance by ITW Building Components Group, Inc.

Standard Detail:  
TS025  
Date:  
06/11/07  
TrusSteel Detail Category:  
Truss-To-Truss Connections