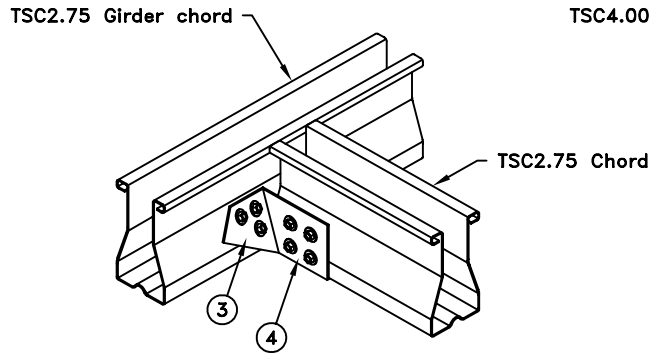
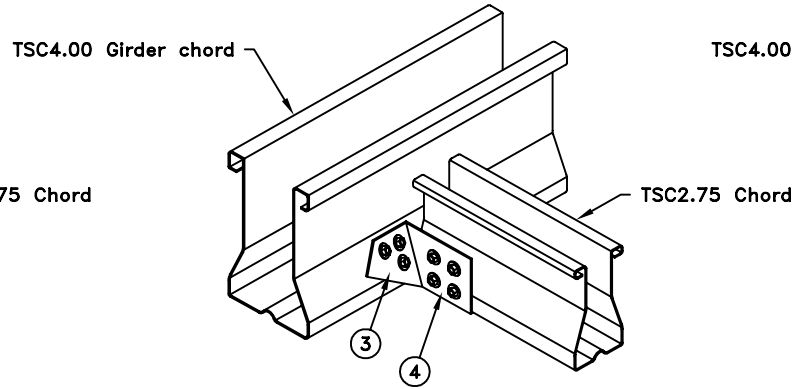


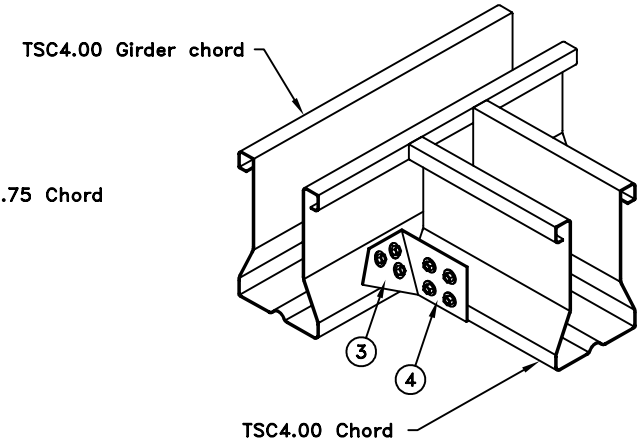
### TSJH22



### TSJH24



### TSJH44



TSJH22 Maximum Allowable Load Table			
Allowable Load lbs. (kN)	Girder Chord Gauge		
	28TSC 22ga	33TSC 20ga	43TSC 18ga
Down	740 (3.29)	920 (4.09)	1380 (6.14)
Up – Gravity & Wind	680 (3.02)	770 (3.43)	1010 (4.49)

TSJH24 And TSJH44 Maximum Allowable						
Allowable Load lbs. (kN)	Girder Chord Gauge					
	28TSC 22ga	33TSC 20ga	43TSC 18ga	54TSC 16ga	68TSC 14ga	97TSC 12ga
Down	920 (4.09)	1140 (5.07)	1350 (6.01)	1360 (6.05)	1360 (6.05)	1360 (6.05)
Up – Gravity & Wind	610 (2.71)	780 (3.47)	1010 (1.19)	1130 (5.03)	1130 (5.03)	1130 (5.03)

– The wind uplift capacities shown above have not been increased by 1.33.

#### General Notes:

1. Circled numbers represent the quantity of #10 self-drilling tapping sheet metal screws applied through the pre-drilled holes in hanger into the TrusSteel chord. The same quantity of screws is to be applied on the side of the hanger that is not visible.
2. Do not overdrive screws. Overdriven screws may strip out of TrusSteel chord.
3. Hangers may be located anywhere along girder chords.
4. Refer to TrusSteel detail drawings TS023, TS024 or TS024A for ply-to-ply connections for multiple member girders.



www.TrusSteel.com

Florida: 1950 Marley Drive / Haines City, FL 33844 / (800) 755-6001  
 Missouri: 13389 Lakefront Drive / Earth City, MO 63045 / (800) 326-4102  
 California: 8351 Rovana Circle / Sacramento, CA 95828 / (800) 877-3678

## TSJH22, TSJH24 And TSJH44 Hanger Application

ITW Building Components Group, Inc. shall not be responsible for any performance failure in a connection due to a deviation from this detail. Any variation from this detail shall be approved in advance by ITW Building Components Group, Inc.



Standard Detail:  
TS022

Date:  
03/08/07

TrusSteel Detail Category:  
Truss-To-Truss Connections