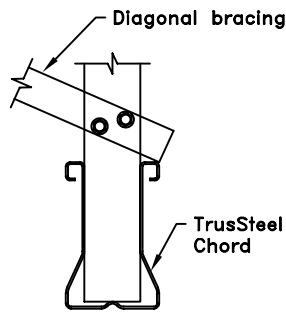


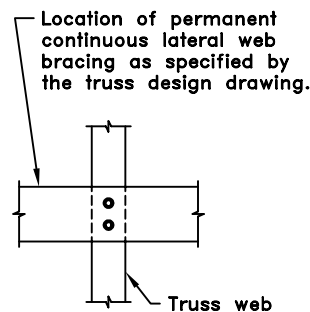
Location of Permanent continuous lateral web bracing as specified by the truss design drawing.

Web Bracing

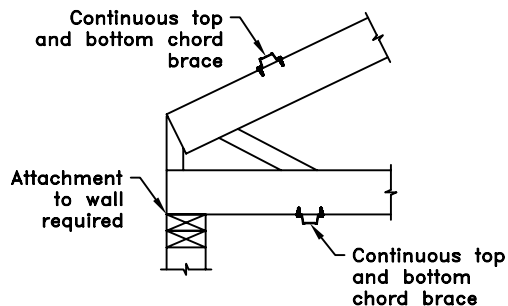
Note: See TrusSteel Detail TS017.



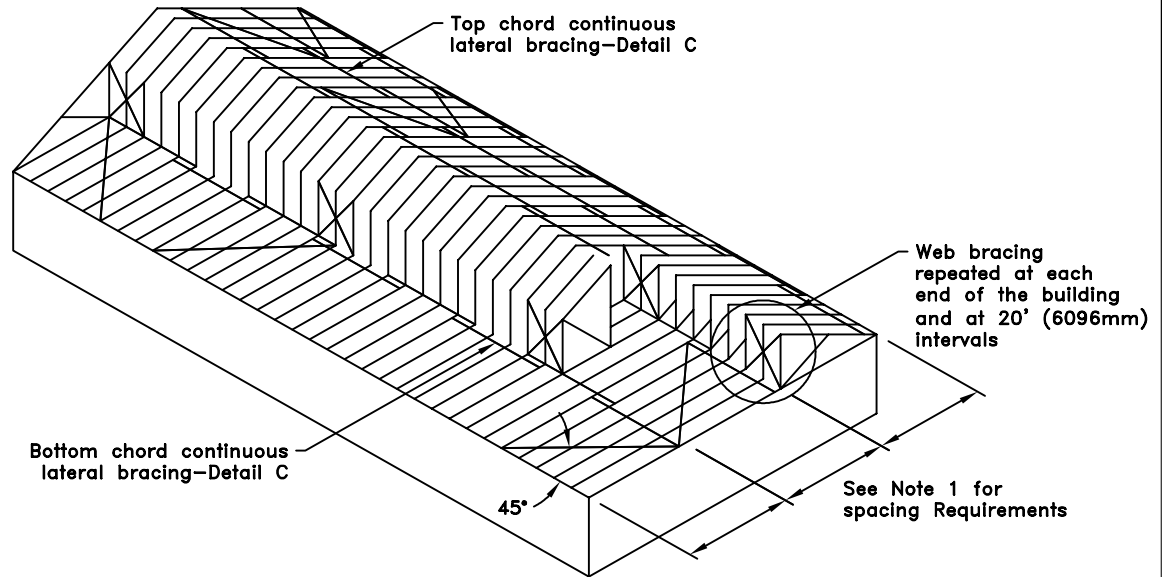
Detail A



Detail B



Detail C



Chord Bracing

General Notes:
General Notes:

- 1. Temporary Bracing** - Trusses require extreme care in fabricating, handling, shipping, installing and bracing. Refer to the "Field Installation Guide for Cold-Formed Steel Roof Trusses" published by CFSEI (Cold-Formed Steel Engineers Institute), 1201 15th Street, NW, Suite 320 Washington, DC 20005) for general guidance in safety practices prior to performing these functions. Also, refer to the "Design Guide for Construction Bracing Of Cold-Formed Steel Trusses" technical note 551d, published by CFSEI for additional guidance. Consult a professional engineer if truss span is over 60'(18288mm) or truss spacing is over 48"(1219mm) o.c.
- 2. Permanent Bracing** - Permanent bracing systems are to be designed by a professional engineer. Refer to the CFSEI technical note 551e titled, "Design Guide for Permanent Bracing of Cold-Formed Steel Trusses" for guidance.
- 3. Bracing and connections are to be designed by a professional engineer.** TrusSteel recommends the diagonal bracing, top and bottom chord continuous lateral bracing and web continuous lateral bracing to be a minimum of 150F125-33 Furring channel or 362S162-33 Stud material with a minimum of 2-#10 sheet metal screws at all connections.
- 4. Warning, do not stand on bracing or use it in any way to support yourself during construction or any other time.**
- 5. Intended for use with TrusSteel trusses only.**

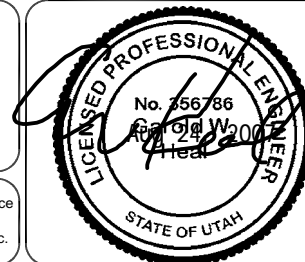


www.TrusSteel.com

Florida: 1950 Marley Drive / Haines City, FL 33844 / (800) 755-6001
 Missouri: 13389 Lakefront Drive / Earth City, MO 63045 / (800) 326-4102
 California: 8351 Rovana Circle / Sacramento, CA 95828 / (800) 877-3678

Steel Truss Temporary and Permanent Bracing Guidelines

ITW Building Components Group, Inc. shall not be responsible for any performance failure in a connection due to a deviation from this detail. Any variation from this detail shall be approved in advance by ITW Building Components Group, Inc.



Standard Detail:
TS015

Date:
04/17/07

TrusSteel Detail Category:
Bracing