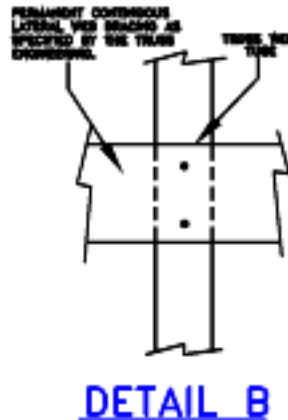
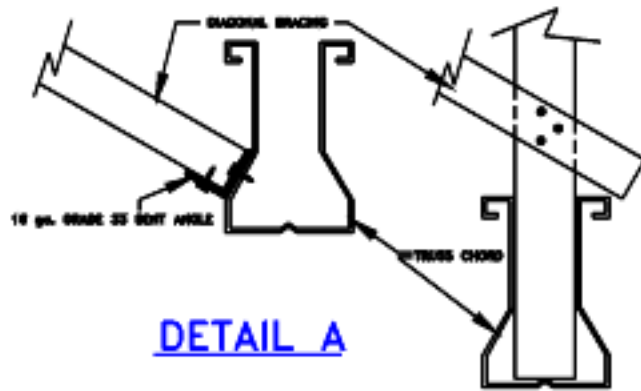
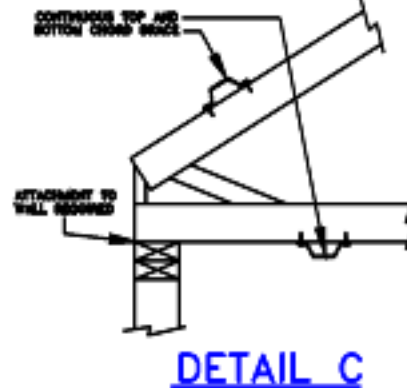
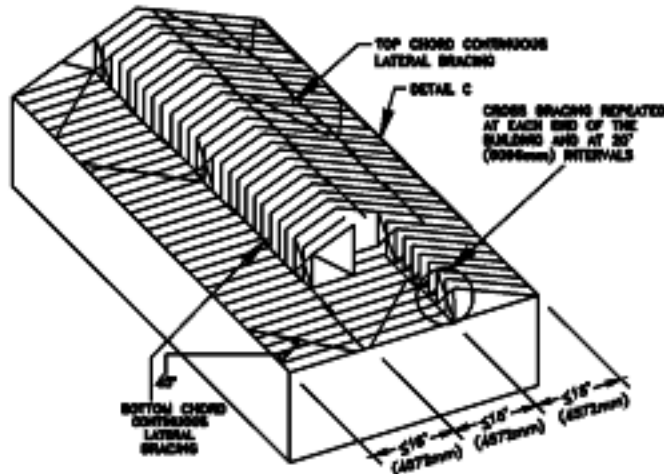


STEEL TRUSS BRACING CONNECTION DETAIL

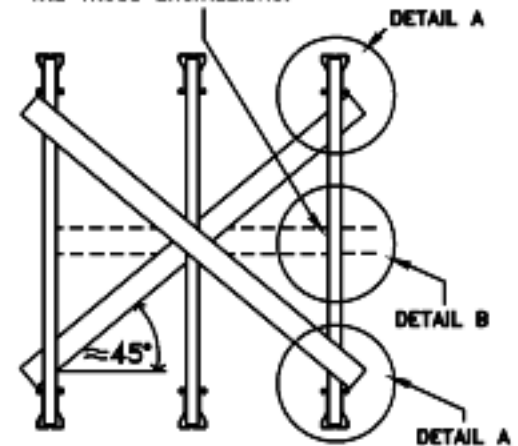


GENERAL NOTES:

1. TRUSSES REQUIRE EXTREME CARE IN FABRICATING, HANDLING, SHIPPING, INSTALLING AND BRACING. REFER TO THE "FIELD INSTALLATION GUIDE FOR COLD-FORMED STEEL ROOF TRUSSES" PUBLISHED BY LOSEA (LIGHT GAUGE STEEL ENGINEERS ASSOCIATION, 1728 N ST. NW, SUITE 801, WASHINGTON, DC 20036) FOR GENERAL GUIDANCE IN SAFETY PRACTICES PRIOR TO PERFORMING THESE FUNCTIONS. ALSO, REFER TO THE "DESIGN GUIDE FOR CONSTRUCTION BRACING OF COLD-FORMED STEEL TRUSSES" TECHNICAL NOTE 851d, PUBLISHED BY LOSEA FOR ADDITIONAL GUIDANCE IN THE DESIGN OF THE BRACING SYSTEM.
2. THIS DRAWING IS A SUGGESTED GUIDE AND SHOULD BE CONSIDERED AS THE MINIMUM REQUIREMENTS AND IS LIMITED TO TRUSSES SPACED UP TO 48 INCHES (1219mm) ON CENTER WITH AN OVERALL LENGTH UP TO 80 FEET (24384mm) MAXIMUM. A PROFESSIONAL ENGINEER SHOULD BE CONSULTED FOR TRUSS SYSTEMS IN EXCESS OF THESE LIMITS.
3. BRACING AND CONNECTIONS ARE TO BE DESIGNED BY A PROFESSIONAL ENGINEER. ALPINE RECOMMENDS THE DIAGONAL BRACING, TOP AND BOTTOM CHORD CONTINUOUS LATERAL BRACING AND WEB CONTINUOUS LATERAL BRACING TO BE A MINIMUM OF 150F125-33 FURRING CHANNEL OR 342S162-33 STUD MATERIAL WITH A MINIMUM OF 3-#10 SHEET METAL SCREWS AT ALL CONNECTIONS.
4. WARNING, DO NOT STAND ON BRACING OR USE IT IN ANY WAY TO SUPPORT YOURSELF DURING CONSTRUCTION OR ANY OTHER TIME.
5. INTENDED FOR USE WITH ALPINE TRUSSTEEL TRUSSES ONLY.



PERMANENT CONTINUOUS LATERAL WEB BRACING AS SPECIFIED BY THE TRUSS ENGINEERING.



NOTE: SEE TRUSSTEEL DETAIL TS017.



WARNING TRUSSES REQUIRE EXTREME CARE IN FABRICATING, HANDLING, SHIPPING, INSTALLING AND BRACING. UNLESS OTHERWISE INDICATED, TOP CHORD SHALL HAVE PROPERLY ATTACHED STRUCTURAL PANELS AND BOTTOM CHORD SHALL HAVE A PROPERLY ATTACHED ROOF CEILING.

IMPORTANT FURNISH A COPY OF THIS DESIGN TO THE INSTALLATION CONTRACTOR. BRACING DEPICTED ON THIS DESIGN IS ONLY FOR LATERAL SUPPORT OF TRUSS MEMBERS TO REDUCE BUCKLING LENGTHS. ALL DESIGN, ATTACHMENT AND INSTALLATION OF TEMPORARY AND PERMANENT BRACING, TO RESIST LATERAL FORCES AND HOLD TRUSSES PLUMB, SHALL BE THE RESPONSIBILITY OF OTHERS. ALPINE ENGINEERED PRODUCTS, INC. SHALL NOT BE RESPONSIBLE FOR ANY DEVIATION FROM THIS DESIGN OR HANDLING, SHIPPING, INSTALLING, AND BRACING OF TRUSSES. AN ENGINEER'S SEAL ON THIS DRAWING APPLIES ONLY TO DESIGN OF THE TRUSS DEPICTED HERE AND SHALL NOT BE RELIED UPON IN ANY OTHER WAY.



TRUSSTEEL DETAIL
DATE 09/02/02
DRWG TS015
-ENG